



LED | WET | IP65 | IK05

LOGICA

SANITATION

TITLE 20

TITLE 24



BS100LED-EXTREME

- The ILLUMINA® BS100LED-EXTREME is corrosion, flame and vandal resistant.
- The ILLUMINA® BS100LED-EXTREME is DLC listed under the following categories:
 - DLC Standard:** Direct Linear Ambient, High-Bay Luminaires for Commercial and Industrial Buildings.
 - DLC Premium:** Stairwell and passageway luminaires.
- **HOUSING:** 100% UV stabilized polycarbonate, liquid silicone perimeter gasket with memory retention.
- **DIFFUSER:** Frosted UV stabilized polycarbonate diffuser, providing even light distribution.
- **LUMENS:** LO: 9996 up to 10695 lm
HO: 11568 up to 12374 lm
- **OPERATING TEMP:**
 - HT (AC Only) -40°F to 122°F (-40°C to 50°C)
 - EM 32°F to 122°F(0°C to 50°C)
- **WEIGHT:** 10 lbs / 4.5 kg



APPLICATION: The ILLUMINA® BS100LED-EXTREME is ideal for various applications including warehouses, parking garage entrance and exits, and production areas. It can be installed both indoor and outdoor.

CONFIGURATIONS

MODEL	LENGTH	OPERATION	OUTPUT	COLOR TEMP	INPUT	MOUNTING ¹	OPTIONS
BS100LED-X	4 (ft)	HT (AC only)	LO	WT30 (3000K)	120-277V	AC ² (aviation cable)	EM ⁷ (emergency backup-remote)
			HO	WT40 (4000K)	347V	SPK ³ (single pendant kit)	SS (stainless steel clips)
				WT50 (5000K)	480V	SVLSPK ³ (swivel single pendant kit)	FP (fuse protection - 3A)
						SVLDPK ³ (swivel double pendant kit)	TPS ⁸ (tamper proof screws)
						DPK ³ (double pendant kit)	TPB (tamper proof under driver bit)
						CH ³ (chain hang kit)	EOSL ⁹ (external occupancy sensor - LOGICA)
						TM ³ (trunnion mount)	EOS (external occupancy sensor)
						PM (pivot mount)	SP (surge protection - 10KA)
						JM ⁴ (junction mount)	B ¹⁰ (black housing)
						MM ⁵ (magnet mount)	W ¹⁰ (white housing)
						QMB ⁶ (quick mount bracket)	FA ¹¹ (fully assembled)

NOTE 1: When wall mounting, damp location only.

NOTE 2: Specify length for AC:50", 72", 100", 150", 250" fully adjustable.

NOTE 3: SPK, DPK, CH, TM, & SVLSPK options must specify length.

NOTE 4: JM option - the unit is no longer wet location, but damp location.

NOTE 5: Magnetic mounts must be installed to steel beam measuring minimum 3/16" (4.7mm) thick.

NOTE 6: QMB recommended with JM.

NOTE 7: Title 20 Field installation emergency pack; 120/277V; 17W, 2634 lumens. For Title 20 EM drivers, please contact factory.

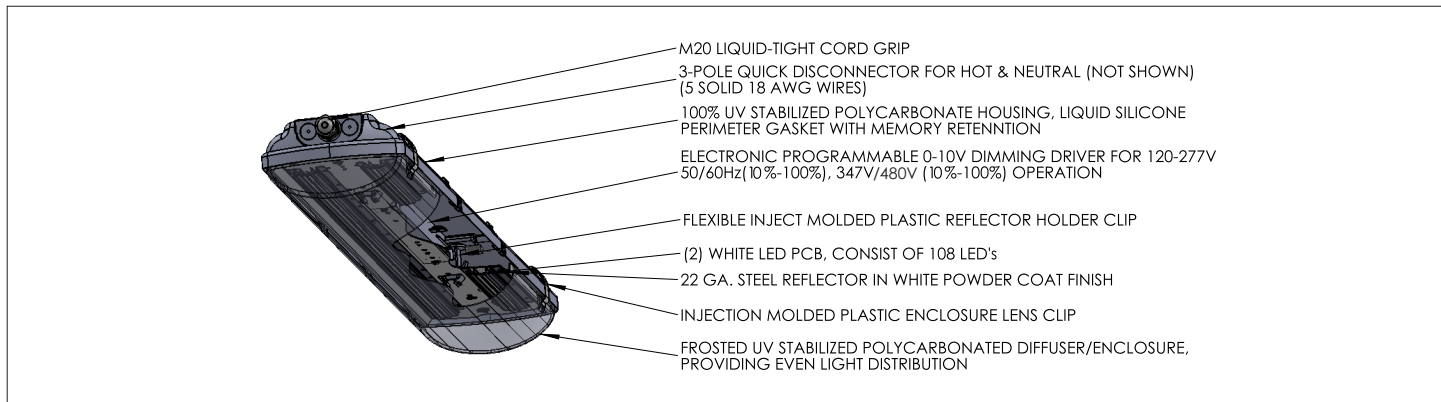
NOTE 8: 18-8 stainless steel screws.

NOTE 9: Logica (Beggelli wireless and powerless control solutions). Contact factory for more details.

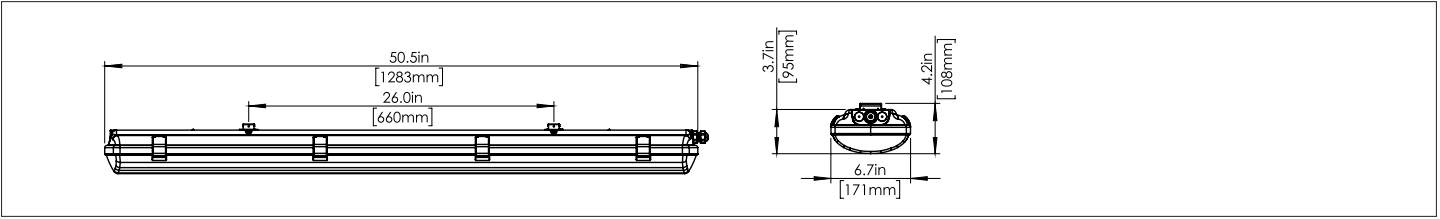
NOTE 10: Contact factory.

NOTE 11: Includes latches and grommets installed at the factory. Can be combined with the JM option.

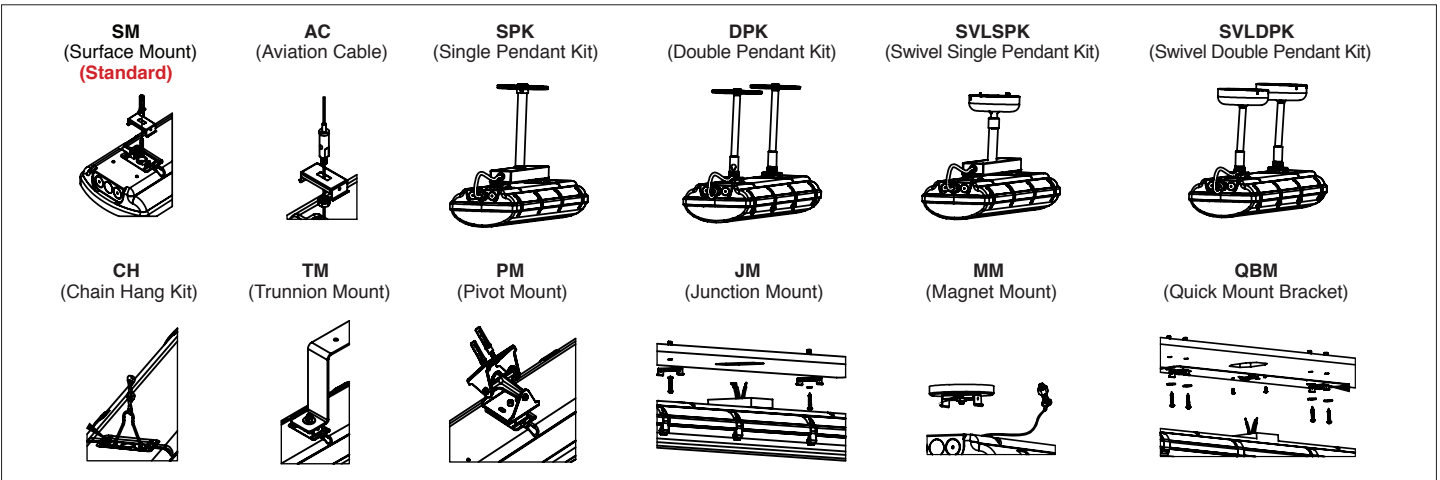
TECHNICAL INFORMATION



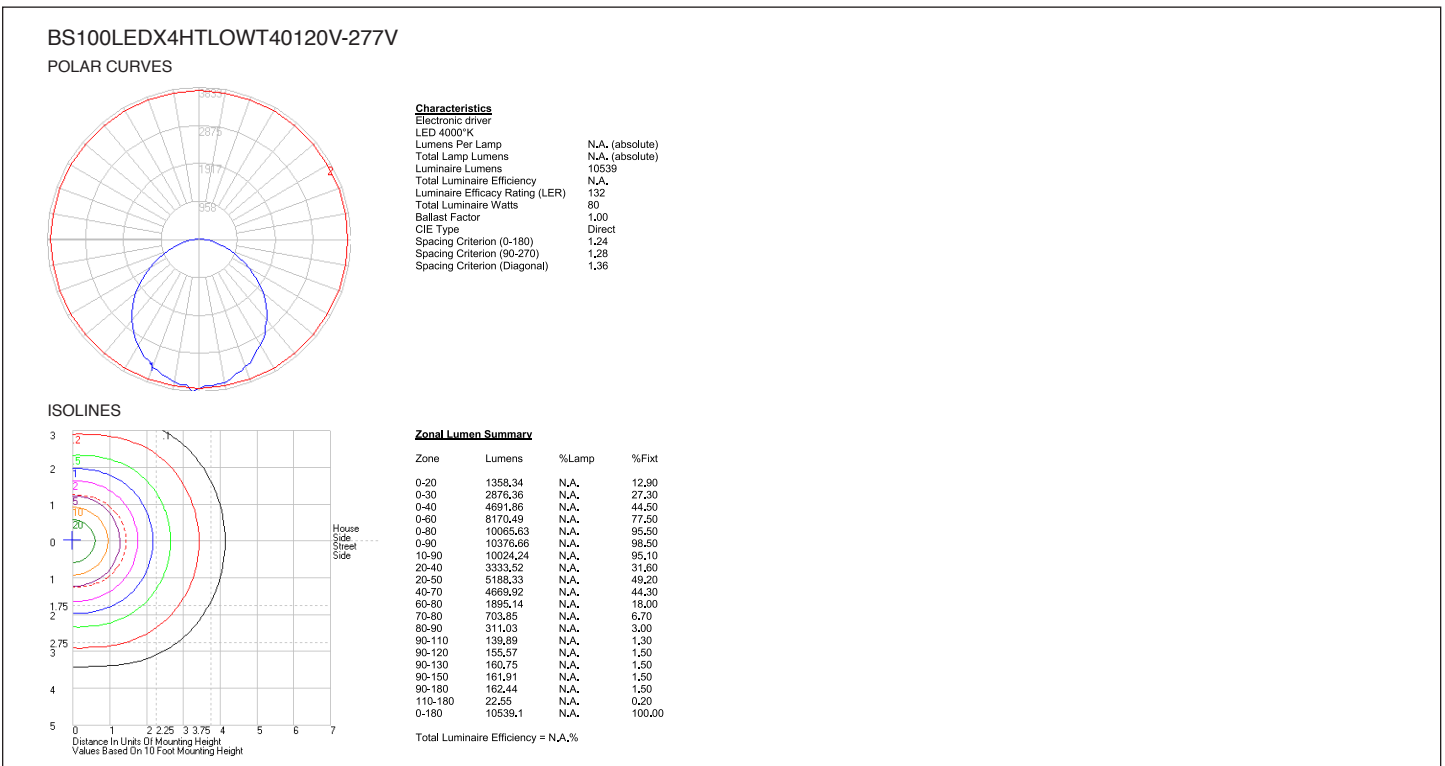
DIMENSIONS



MOUNTING OPTIONS



PHOTOMETRICS



ILLUMINA® BS100 LED-EXTREME

ADDITIONAL INFORMATION

ENERGY CHART

MODEL	LENGTH	EFFICACY	CONSUMPTION WATTAGE	LUMEN OUTPUT	CRI	L70 (hrs.)	L90 (hrs.)
BS100LED-X-4HT-LO-WT30-120-277V	4 ft	125 lm/W	80	9996	>80	>60,000	>52,000
BS100LED-X-4HT-LO-WT40-120-277V	4 ft	132 lm/W	80	10539	>80	>60,000	>52,000
BS100LED-X-4HT-LO-WT50-120-277V	4 ft	134 lm/W	80	10695	>80	>60,000	>52,000
BS100LED-X-4HT-HO-WT30-120-277V	4 ft	116 lm/W	100	11568	>80	>60,000	>52,000
BS100LED-X-4HT-HO-WT40-120-277V	4 ft	122 lm/W	100	12196	>80	>60,000	>52,000
BS100LED-X-4HT-HO-WT50-120-277V	4 ft	124 lm/W	100	12374	>80	>60,000	>52,000

ELECTRICAL RATING

PRODUCT	NOMINAL POWER (W)	AC CURRENT (A)		FREQUENCY (HZ)	DC VOLTAGE (V)	DC CURRENT (MA)
		120V	277V			
BS100LED-X-4-LO	80	0.68	0.29	50/60	38	2000
BS100LED-X-4-HO	100	0.85	0.37	50/60	38	2500

EM DRIVER TITLE 20 COMPLIANT

MANUFACTURER	DRIVER MODEL	INSTALLATION	
		INTEGRATED	REMOTE
FULHAM	FHSCPUNV17W/120277VAC,50/60Hz	NO	YES

DIMMER COMPATIBILITY

DIMMER	COMPATABILITY	
	ON / OFF	DIMMING
LEVITON - AWRMG - 7	YES	YES
LUTRON - DIVE - DVSTV	YES	YES
LUTRON - DIVE - DVTV	YES	YES
WATT STOPPER DCLV1	YES	YES

LOGICA (WIRELESS & POWERLESS LIGHTING CONTROL SOLUTIONS)

DAISY CHAIN FIXTURES (RLYL)			EXTERNAL NODE (EOSL)	
LOG-RLY WIRELESS RELAY (DAMP LOCATION)	LOG-ESRP SWITCH (ACCESSORY) (DAMP LOCATION)	LOG-ML2 REMOTE SENSOR (ACCESSORY) (DAMP LOCATION)	LOG-HBKO10V / HBKOD NODE & SENSOR (KNOCK-OUT)	LOG-ESRP SWITCH (ACCESSORY) (DAMP LOCATION)
FOR DETAILS PLEASE SEE LIGHTING CONTROL SOLUTION CONFIGURATION. FOR LOGICA APPLICATIONS CONTACT FACTORY FOR LAYOUT AND SUITABLE SOLUTION.				

■ **WARRANTY:** 5 year warranty, see website for full warranty details.