

BS100LED-PLUS2

- The ILLUMINA® BS100LED-PLUS2 vapor tight is corrosion, flame and vandal resistant.
- **HOUSING:** 100% UV stabilized polycarbonate, liquid silicone perimeter gasket with memory retention.
- **DIFFUSER:** Frosted UV stabilized polycarbonate diffuser, providing even light distribution.
- **LUMENS:** LO: 5518 up to 6069 lm
HO: 7546 up to 8299 lm
- **OPERATING TEMP:**
HT (AC Only) -40°F to 104°F (-40°C to 40°C)
EM 32°F to 104°F (0°C to 40°C)
- **WEIGHT:** 5 lbs / 2.2 kg



APPLICATION: The ILLUMINA® BS100LED-PLUS2 is ideal for various applications including retail, industrial, parking garages, barns, carport, parking structures, warehouses, breezeways, canopies, schools, and much more. It can be installed both indoor and outdoor.

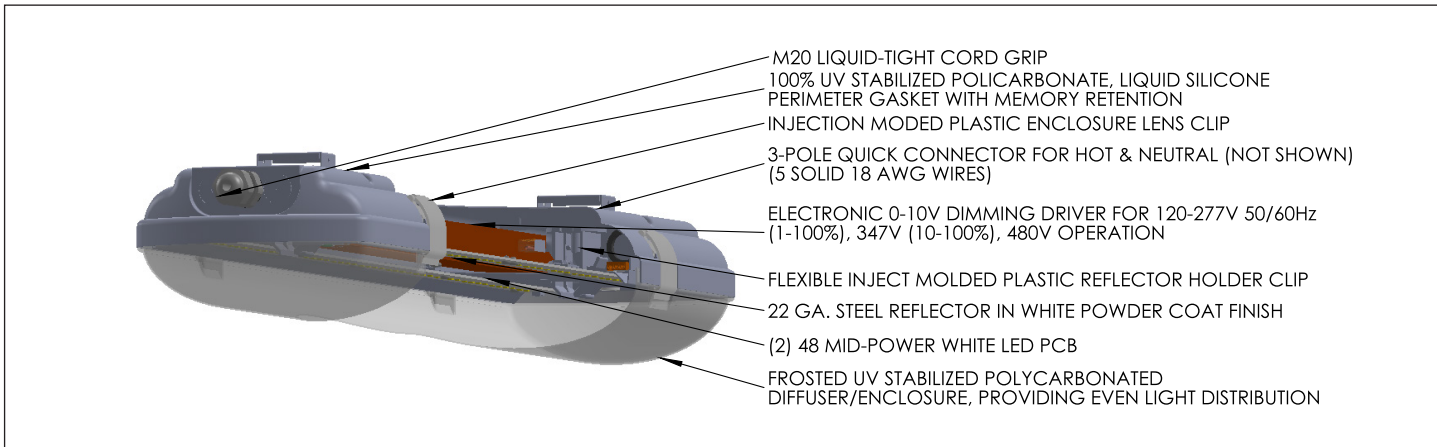
CONFIGURATIONS

MODEL	LENGTH	OPERATION	LUMENS	COLOR TEMP	INPUT	MOUNTING	OPTIONS
BS100LED-PLUS	2 (ft)	HT (AC only)	LO	WT35 (3500K)	120-277V	AC ¹ (aviation cable)	EM ⁵ (emergency backup-remote)
			HO	WT40 (4000K)	347V	SPK ² (single pendant kit)	SS (stainless steel clips)
				WT50 (5000K)	480V	SVLSPK ² (swivel single pendant kit)	FP (fuse protection - 3A)
						SVLDPK ² (swivel double pendant kit)	TPS ⁹ (tamper proof screws)
						DPK ² (double pendant kit)	TPB (tamper proof under driver bit)
						CH ² (chain hang kit)	NODL ⁷ (integrated node - LOGICA)
						TM ² (trunnion mount)	IOSL ⁷ (internal occupancy sensor - LOGICA)
						PM (pivot mount)	EOSL ⁷ (external occupancy sensor - LOGICA)
						JM ³ (junction mount)	IOS ⁸ (internal occupancy sensor)
						QMB ⁴ (quick mount bracket)	EOS (external occupancy sensor)
						MM (magnet surface mount)	SP (surge protection - 10KA)
							B ⁹ (black housing)
							W ⁹ (white housing)
							FA ¹⁰ (fully assembled)

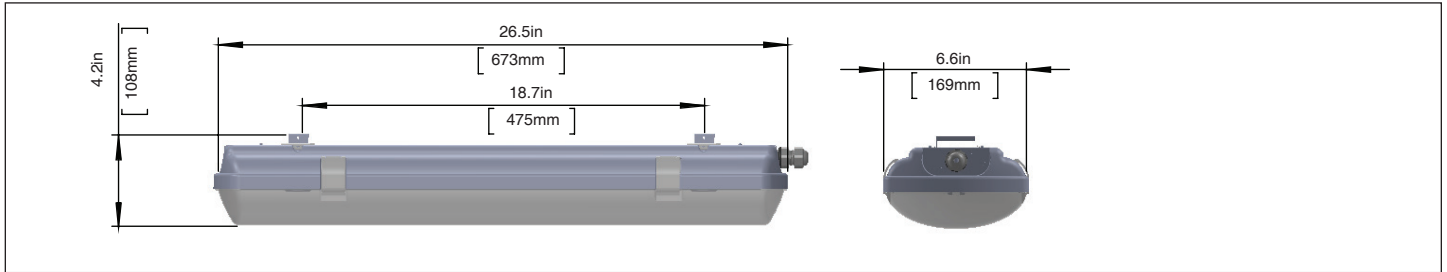
NOTE 1: Specify length for AC:50", 72", 100", 150", 250" fully adjustable.
 NOTE 2: SPK, DPK, CH, TM, SVLSPK, & SVLDPK options must specify length.
 NOTE 3: JM option - the unit is no longer wet location, but damp location.
 NOTE 4: QMB must be used with JM.
 NOTE 5: Field installation emergency pack; 120/277V; 20W; 2354 lumens.
 NOTE 6: 18-8 stainless steel screws.

NOTE 7: Logica (Beggelli wireless and powerless control solutions). Contact factory for more details.
 NOTE 8: FSP-221-requires wireless IR handheld remote (HHR-FSIR) for changing defaults and testing of occupancy sensor. Order as needed (item #476100186). For more details, contact factory.
 NOTE 9: Contact factory.
 NOTE 10: Includes latches and grommets installed at the factory. Can be combined with the JM option.

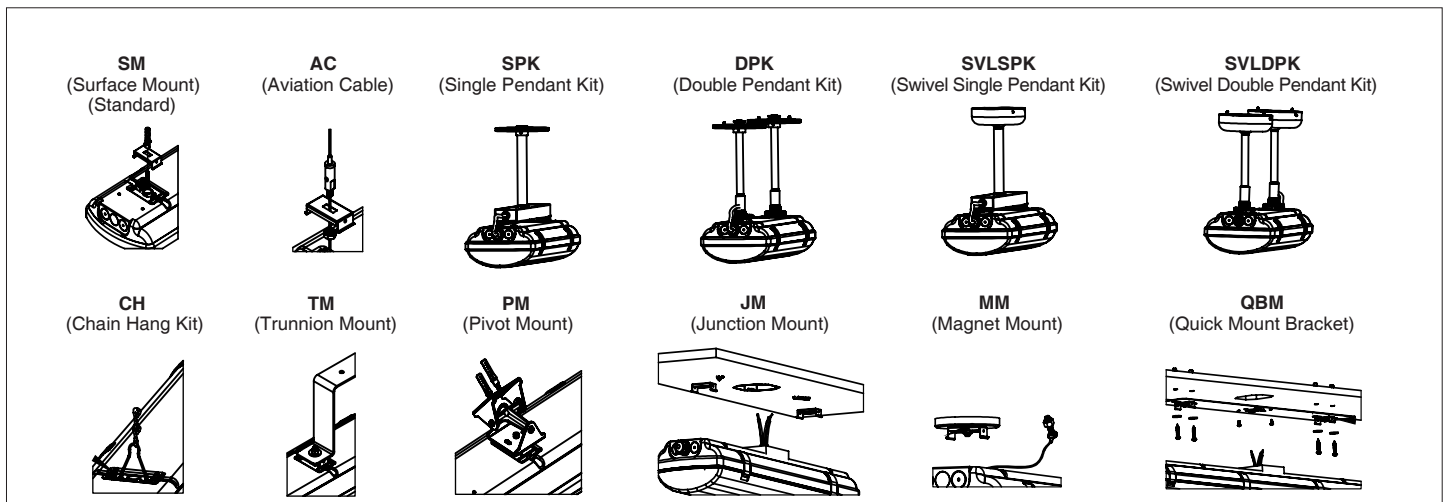
TECHNICAL INFORMATION



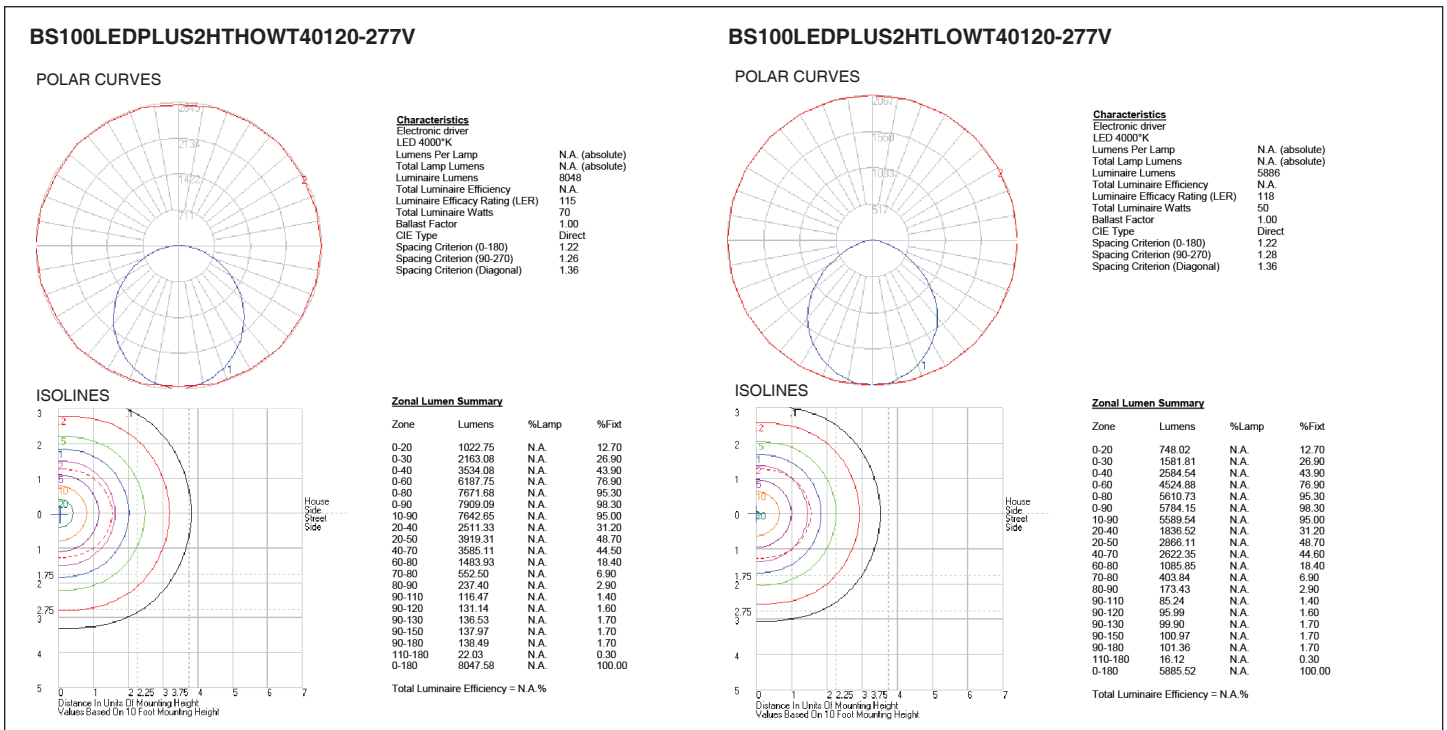
DIMENSIONS



MOUNTING OPTIONS



PHOTOMETRICS



ILLUMINA® BS100LED-PLUS2

ADDITIONAL INFORMATION

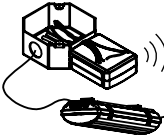


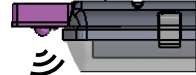

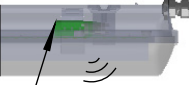


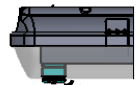

ENERGY CHART

MODEL	LENGTH	EFFICACY	CONSUMPTION WATTAGE	LUMEN OUTPUT	CRI	L70 (hrs.)	L88 (hrs.)
BS100LED-PLUS2-HT-LO-WT35-120-277V	2 ft	110 lm/W	50	5518	>80	>60,000	>51,000
BS100LED-PLUS2-HT-LO-WT40-120-277V	2 ft	118 lm/W	50	5886	>80	>60,000	>51,000
BS100LED-PLUS2-HT-LO-WT50-120-277V	2 ft	121 lm/W	50	6069	>80	>60,000	>51,000
BS100LED-PLUS2-HT-HO-WT35-120-277V	2 ft	108 lm/W	70	7546	>80	>60,000	>51,000
BS100LED-PLUS2-HT-HO-WT40-120-277V	2 ft	115 lm/W	70	8048	>80	>60,000	>51,000
BS100LED-PLUS2-HT-HO-WT50-120-277V	2 ft	119 lm/W	70	8299	>80	>60,000	>51,000

ELECTRICAL RATING

PRODUCT	NOMINAL POWER (W)	AC CURRENT (A)		FREQUENCY (HZ)	DC VOLTAGE (V)	DC CURRENT (MA)
		AC VOLTAGE 120V	AC VOLTAGE 277V			
BS100LED-PLUS2-HT-LO	50	0.43	0.18	50/60	45	1000
BS100LED-PLUS2-HT-HO	70	0.59	0.26	50/60	45	1300

LOGICA (WIRELESS & POWERLESS LIGHTING CONTROL SOLUTIONS)

DAISY CHAIN FIXTURES (RLYL)			EXTERNAL NODE & SENSOR (EOSL)	
<p>LOG-RLY WIRELESS RELAY (DRY LOCATION)</p> 	<p>LOG-ESRP SWITCH (ACCESSORY) (DRY LOCATION)</p> 	<p>LOG-ML2 REMOTE SENSOR (ACCESSORY) (DRY LOCATION)</p> 	<p>LOG-HBKO10V / HBKOD NODE & SENSOR (KNOCK-OUT)</p> 	<p>LOG-ESRP SWITCH (ACCESSORY) (DRY LOCATION)</p> 
INTEGRATED NODE (NODL)			INTEGRATED NODE & SENSOR (IOSL)	
<p>LOG-10V12/DRD (NODE 0-10V/DALI) (INTEGRATED)</p> 	<p>LOG-ESRP SWITCH (ACCESSORY) (DRY LOCATION)</p> 	<p>LOG-ML2 REMOTE SENSOR (ACCESSORY) (DRY LOCATION)</p> 	<p>LOG-ML10V/MLD NODE & SENSOR (INTEGRATED) (ON LENS)</p> 	<p>LOG-ESRP SWITCH (ACCESSORY) (DRY LOCATION)</p> 
<p>FOR DETAILS PLEASE SEE LIGHTING CONTROL SOLUTION CONFIGURATION.</p>				

■ **WARRANTY:** 5 years, see website for full warranty details.