

## BS101LED

- The ILLUMINA® BS101LED is corrosion, flame and vandal resistant.
- **HOUSING:** 100% UV stabilized polycarbonate, liquid silicone perimeter gasket with memory retention.
- **DIFFUSER:** The frosted UV stabilized polycarbonate diffuser eliminates glare and provides even light distribution.
- **LUMENS:** LO: 6138 up to 6498 lm  
HO: 8593 up to 9098 lm
- **OPERATING TEMP:**  
HT (AC Only) -40°F to 104°F (-40°C to 40°C)  
SA (AC & Emergency) 32°F to 104°F(0°C to 40°C)
- **WEIGHT:** 9 lbs. / 4.08 kg.



**APPLICATION:** The ILLUMINA® BS101LED provides ideal illumination for canopies, warehouses, schools, breezeways and service corridors.

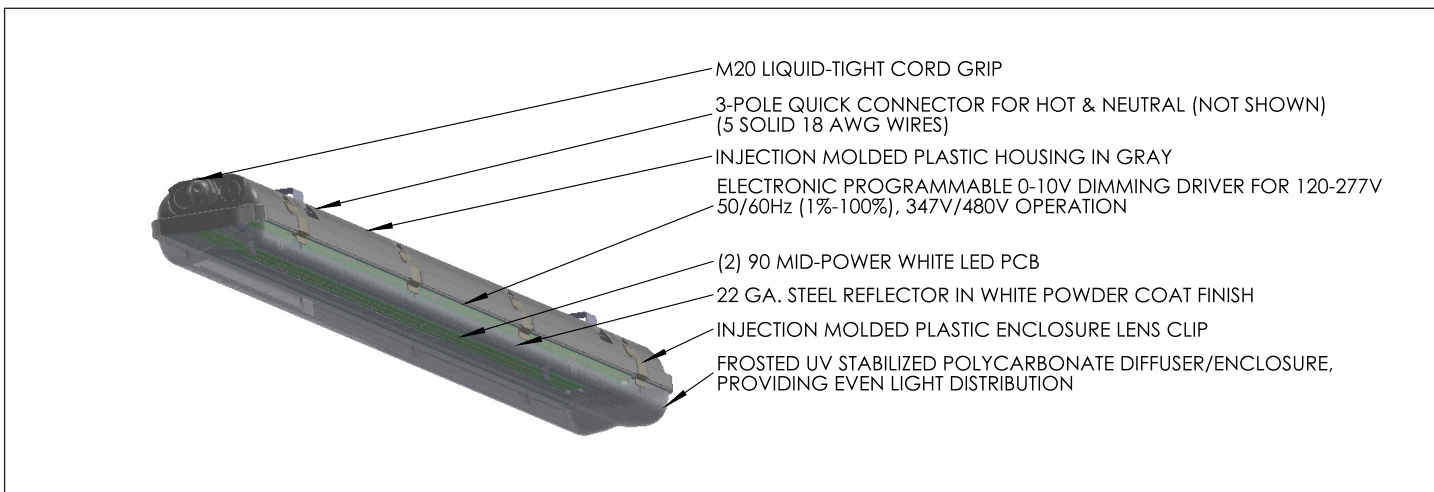
### CONFIGURATIONS

MODEL	LENGTH	OPERATION	LUMENS	COLOR TEMP	INPUT	MOUNTING	OPTIONS
BS101LED	4 (ft)	HT (AC only)	LO	WT35 (3500K)	120-277V	AC <sup>2</sup> (aviation cable)	SS (stainless steel clips)
		SA <sup>1</sup> (AC & EM)	HO	WT40 (4000K)	347V	SPK <sup>3</sup> (single pendant kit)	FP (fuse protection - 3A)
				WT50 (5000K)	480V	SVLSPK <sup>3</sup> (swivel single pendant kit)	TPS <sup>6</sup> (tamper proof screws)
						SVLDPK <sup>3</sup> (swivel double pendant kit)	TPB (tamper proof under driver bit)
						DPK <sup>3</sup> (double pendant kit)	NODL <sup>7</sup> (integrated node - LOGICA)
						CH <sup>3</sup> (chain hang kit)	EOSL <sup>7</sup> (external occupancy sensor - LOGICA)
						TM <sup>3</sup> (trunion mount)	EOS (external occupancy sensor)
						PM (pivot mount)	SP (surge protection - 10KA)
						JM <sup>4</sup> (junction mount)	B <sup>8</sup> (black housing)
						QMB <sup>5</sup> (quick mount bracket)	W <sup>8</sup> (white housing)
							FA <sup>9</sup> (fully assembled)
							D (dali driver)

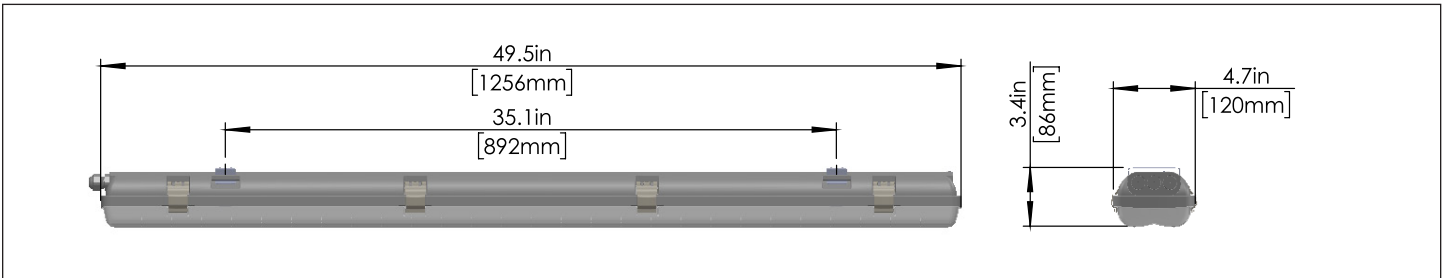
NOTE 1: Emergency pack 120-277V; 10W; 1264 lm. CEC - Listed Title 20.  
NOTE 2: Specify length for AC:50", 72", 100", 150", 250" fully adjustable.  
NOTE 3: SPK, DPK, CH, TM, & SVLSPK options must specify length.  
NOTE 4: JM option - the unit is no longer wet location, but damp location.  
NOTE 5: QMB must be used with JM.

NOTE 6: 18-8 stainless steel screws.  
NOTE 7: Logica (Beghelli wireless and powerless control solutions). Contact factory for more details.  
NOTE 8: Contact factory.  
NOTE 9: Includes latches and grommets installed at the factory. Can be combined with the JM option.

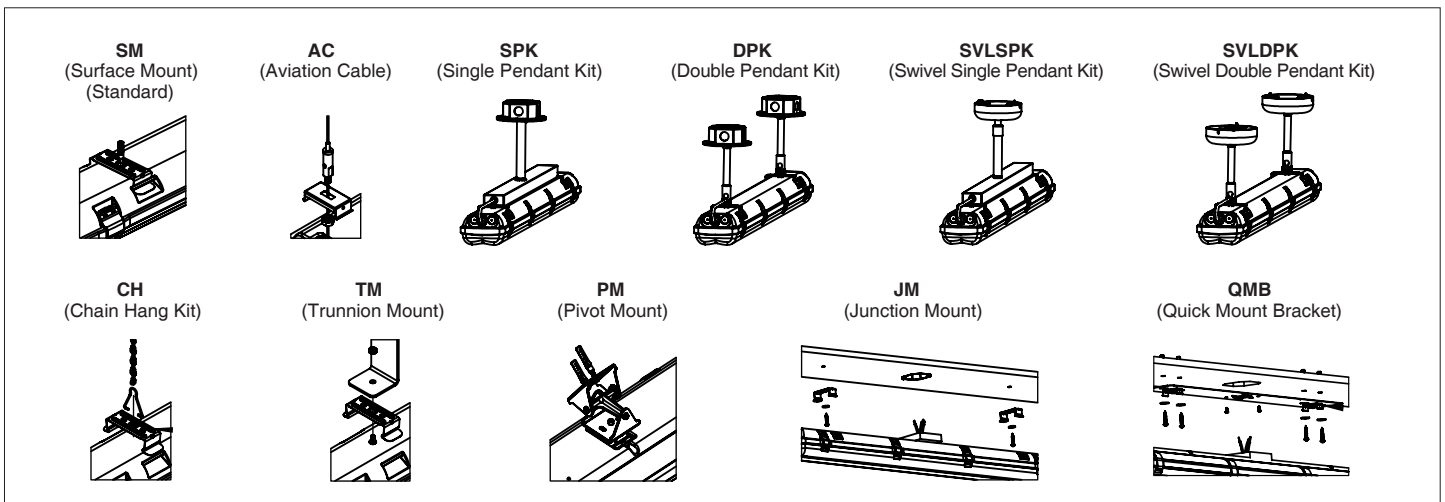
### TECHNICAL INFORMATION



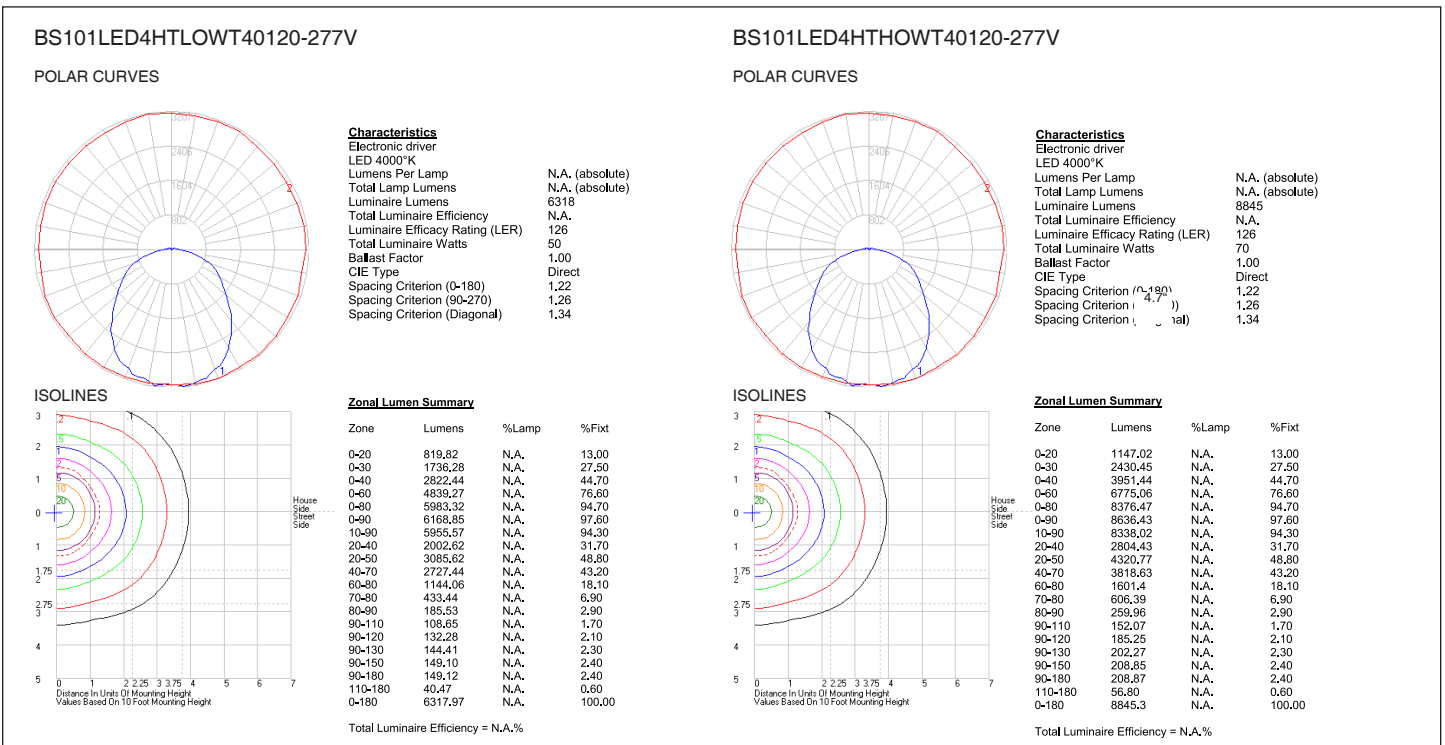
**DIMENSIONS**



**MOUNTING OPTIONS**



**PHOTOMETRICS**



## ENERGY CHART

MODEL	LENGTH	EFFICACY	CONSUMPTION WATTAGE	LUMEN OUTPUT	CRI	L70 (hrs.)
BS101LED-4HT-LO-WT35-120-277V	4 ft	123 lm/W	50	6138	>80	>60,000
BS101LED-4HT-LO-WT40-120-277V	4 ft	126 lm/W	50	6318	>80	>60,000
BS101LED-4HT-LO-WT50-120-277V	4 ft	130 lm/W	50	6498	>80	>60,000
BS101LED-4HT-HO-WT35-120-277V	4 ft	123 lm/W	70	8593	>80	>60,000
BS101LED-4HT-HO-WT40-120-277V	4 ft	126 lm/W	70	8845	>80	>60,000
BS101LED-4HT-HO-WT50-120-277V	4 ft	130 lm/W	70	9098	>80	>60,000

## ELECTRICAL RATING

PRODUCT	NOMINAL POWER (W)	AC CURRENT (A)		FREQUENCY (HZ)	DC VOLTAGE (V)	DC CURRENT (MA)
		120V	277V			
BS101LED-HT-LO	50	0.43	0.18	50/60	45	1000
BS101LED-HT-HO	70	0.59	0.26	50/60	47	1400

## DIMMER COMPATIBILITY

DIMMER	COMPATABILITY	
	ON / OFF	DIMMING
LEVITON - AWRMG-7	YES	YES
LUTRON - DIVE - DVSTV	YES	YES
LUTRON - DIVE - DVTV	YES	YES
WATT STOPPER - DCLV1	YES	YES

## LOGICA (WIRELESS & POWERLESS LIGHTING CONTROL SOLUTIONS)

DAISY CHAIN FIXTURES (RLYL)			EXTERNAL NODE & SENSOR (EOSL)	
<p><b>LOG-RLYL</b> WIRELESS RELAY (DAMP LOCATION)</p>	<p><b>LOG-ML2L</b> REMOTE SENSOR (ACCESSORY) (DAMP LOCATION)</p>	<p><b>LOG-ESRPL</b> SWITCH (ACCESSORY) (DAMP LOCATION)</p>	<p><b>LOG-HBKO10V / HBKODL</b> NODE &amp; SENSOR (KNOCK-OUT) (WET LOCATION)</p>	<p><b>LOG-ESRPL</b> SWITCH (ACCESSORY) (DAMP LOCATION)</p>
<p>(FIXTURES DAISY CHAIN ~ 38 FIXTURES)</p>				
INTEGRATED NODE (NODL)				
<p><b>LOG-10V12L/DRDL</b> (NODE 0-10V/DALI) (INTEGRATED)</p> <p>NODE (WET LOCATION)</p>		<p><b>LOG-ML2L</b> REMOTE SENSOR (DAMP LOCATION)</p>	<p><b>LOG-ESRPL</b> SWITCH (ACCESSORY) (DAMP LOCATION)</p>	
<p>FOR DETAILS PLEASE SEE LIGHTING CONTROL SOLUTION CONFIGURATION.</p>				

■ **WARRANTY:** 5 year warranty, see website for full warranty details.