

PLANEX[®] ECO

TYPE IC | INDOOR | DAMP



FLAT PANEL LED - 2x2

- The PLANEX[®] ECO is offered in 80 CRI and color temperatures from 3500K - 5000K.
- The PLANEX[®] ECO flat panel features an integrated driver that reduces the overall dimensions.
- **HOUSING:** Aluminum frame in white finish.
- **DIFFUSER:** UV diffuser, providing even light distribution while ensuring no yellowing of the lens.
- **LUMENS:** Up to 4700 lm.
- **OPERATING TEMP:**
HT (AC Only) 4°F to 104°F (-20°C to 40°C)
- **WEIGHT:** 4.41 lbs. / 2.0 kg.



APPLICATION: The PLANEX[®] ECO is ideal for installations in healthcare, offices, banks, retail, hotels, restaurants and schools.

CONFIGURATIONS*

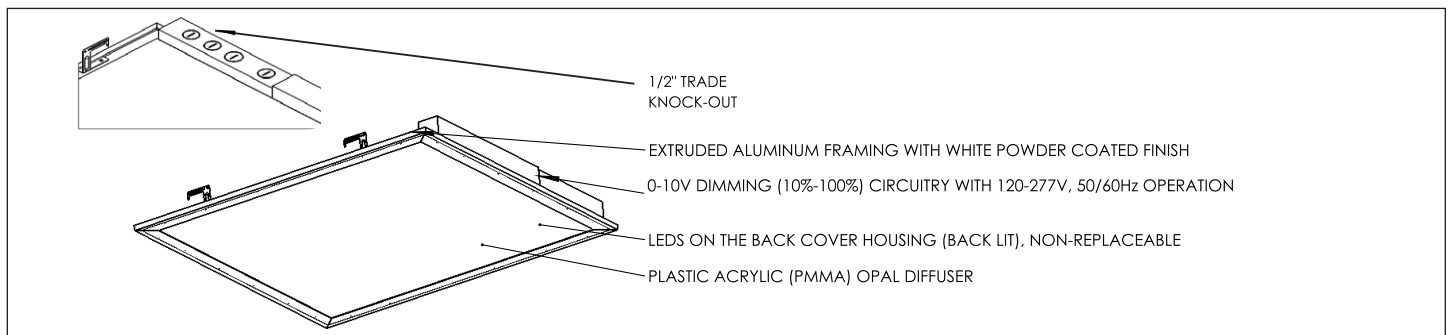
MODEL	SIZE	INPUT	DLC	OUTPUT	COLOR TEMP	CRI	MOUNTING	OPTIONS
PLX-E	2 (2x2)	HT	P (premium)	MO (30W)	WT35 (3500K)	80	GM (grid ceiling mount - standard)	EM ¹ (0-10V dimming with emergency backup)
				HO (36W)	WT40 (4000K)		PLXE2-AC (dual cable suspension)	CC ² (custom color)
					WT50 (5000K)		PLXE2-AC-SM2 (suspension & surface kit)	
							PLXE2-SM (2x2 surface kit)	
							PLXE2-RM (2x2 recessed mount)	

*Contact factory for additional configurations.

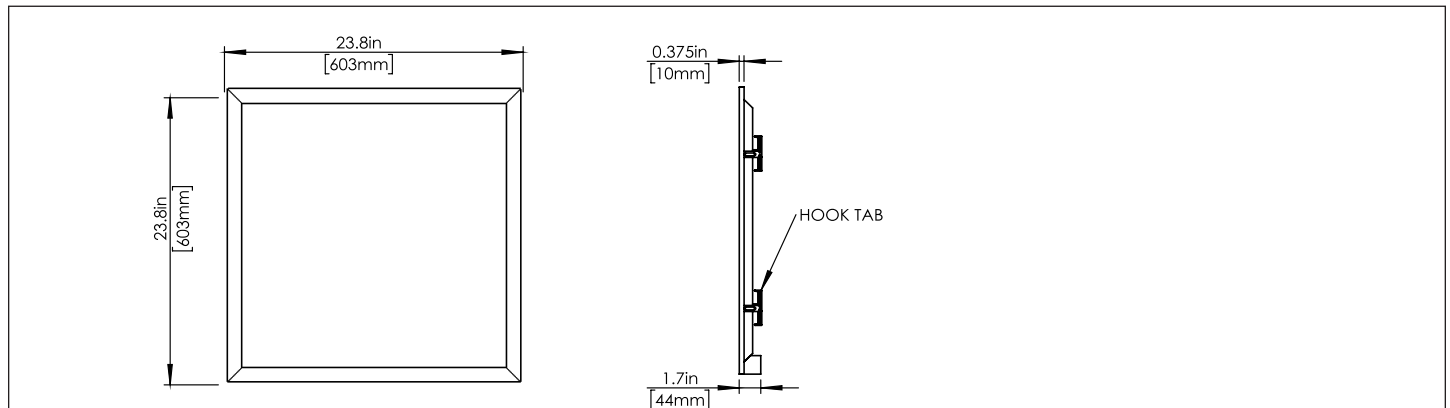
NOTE 1: Field installation remote mounted emergency pack 120-277v; 10w; 1305 lumens.

NOTE 2: Custom color (CC) available only for PLXE2-AC-SM2 and PLXE2-SM mounts.

TECHNICAL INFORMATION



DIMENSIONS



MOUNTING

GRID CEILING MOUNT (GM)
(STANDARD)

Safety cable (optional) (by others)

Safety cable optional

PLXE2-AC
DUAL CABLE SUSPENSION
(cable only)
(direct to planex)
(39" - adjustable)
(specify otherwise)

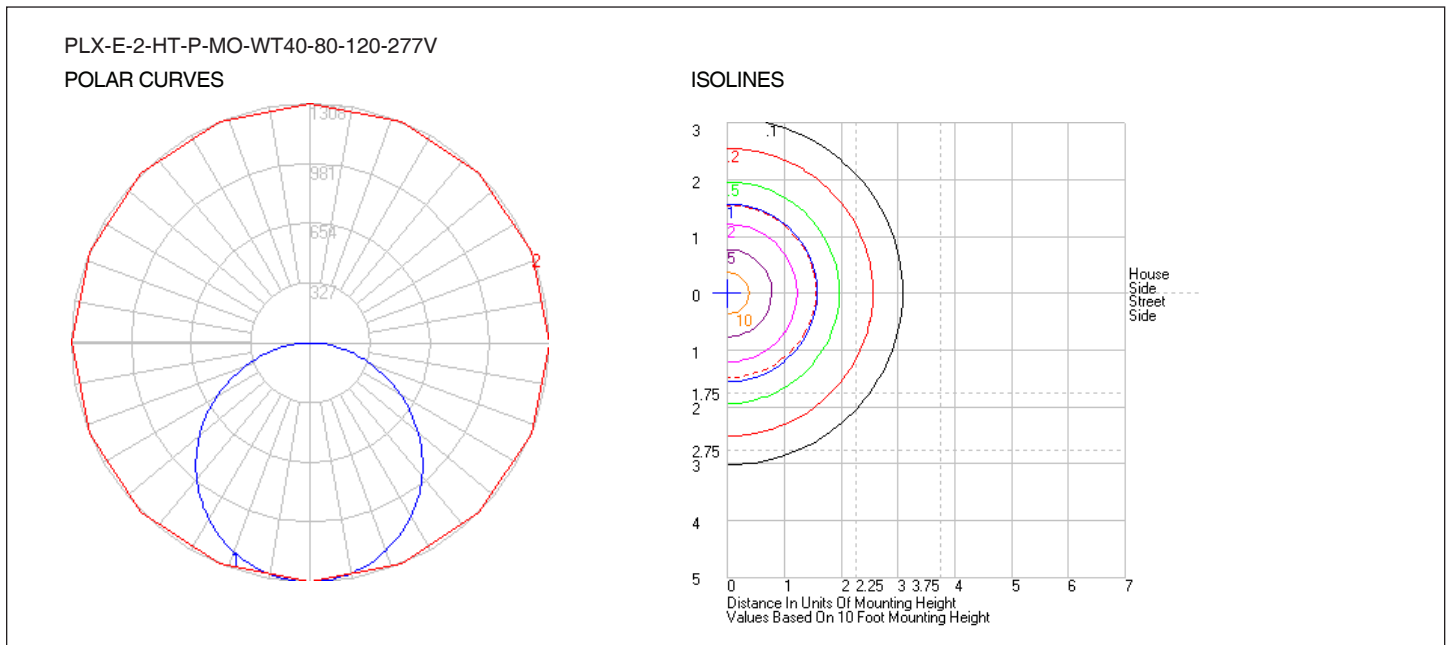
2-POINTS

PLXE2-AC-SM2
SUSPENSION MOUNT W/
SURFACE MOUNT FRAME
(cable & surface mount)
(direct to surface mount)

PLXE2-SM
SURFACE KIT

PLXE2-RM
RECESSED KIT

PHOTOMETRICS



ENERGY CHART

MODEL	SIZE	EFFICACY	CONSUMPTION WATTAGE	LUMEN OUTPUT	CRI	L70 (hrs.)
PLX-E-2-HT-P-MO-WT35-80-120-277V	2(2x2)	128 lm/W	30	3741	>80	60,000
PLX-E-2-HT-P-MO-WT40-80-120-277V	2(2x2)	128 lm/W	30	3802	>80	60,000
PLX-E-2-HT-P-HO-WT35-80-120-277V	2(2x2)	127 lm/W	36	4606	>80	60,000
PLX-E-2-HT-P-HO-WT40-80-120-277V	2(2x2)	128 lm/W	36	4661	>80	60,000
PLX-E-2-HT-P-HO-WT50-80-120-277V	2(2x2)	128 lm/W	36	4661	>80	60,000