

PLANEX[®] ECO

TYPE IC | INDOOR | DAMP



FLAT PANEL LED - 2x4

- The PLANEX[®] ECO is offered in 80 CRI and color temperatures from 3500K - 5000K.
- The PLANEX[®] ECO flat panel features an integrated driver that reduces the overall dimensions.
- **HOUSING:** Aluminum frame in white finish.
- **DIFFUSER:** UV diffuser, providing even light distribution while ensuring no yellowing of the lens.
- **LUMENS:** Up to 7000 lm.
- **OPERATING TEMP:**
HT (AC Only) 4°F to 104°F (-20°C to 40°C)
- **WEIGHT:** 8.82 lbs. / 4.00 kg.



APPLICATION: The PLANEX[®] ECO is ideal for installations in healthcare, offices, banks, retail, hotels, restaurants and schools.

CONFIGURATIONS *

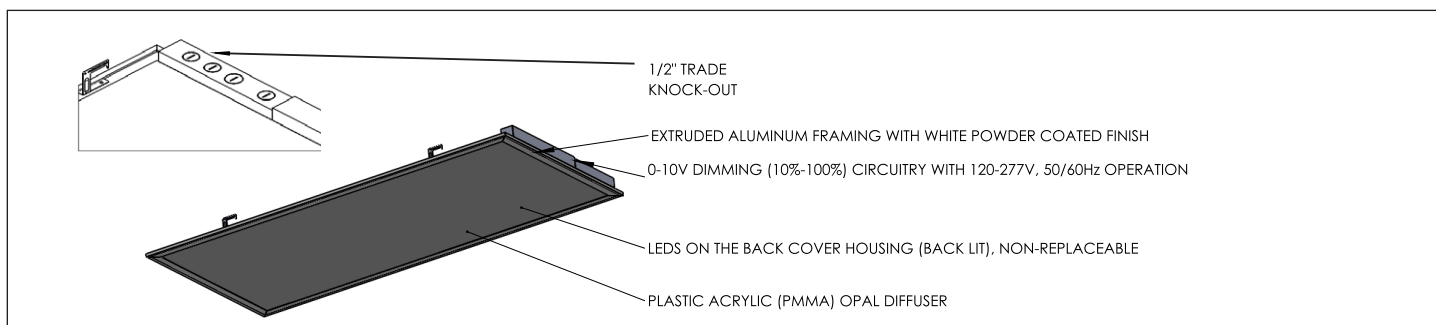
MODEL	SIZE	INPUT	DLC	OUTPUT	COLOR TEMP	CRI	MOUNTING	OPTIONS
PLX-E	4 (2x4)	HT	P (premium)	VHO (40W)	WT35 (3500K)	80	GM (grid ceiling mount - standard)	EM ¹ (0-10V dimming with emergency backup)
				XHO (50W)	WT40 (4000K)		PLXE2-AC (dual cable suspension)	CC ² (custom color)
					WT50 (5000K)		PLXE2-AC-SM4 (suspension & surface kit)	
							PLXE4-SM (2x4 surface kit)	
							PLXE4-RM (2x4 recessed mount)	

*Contact factory for additional configurations.

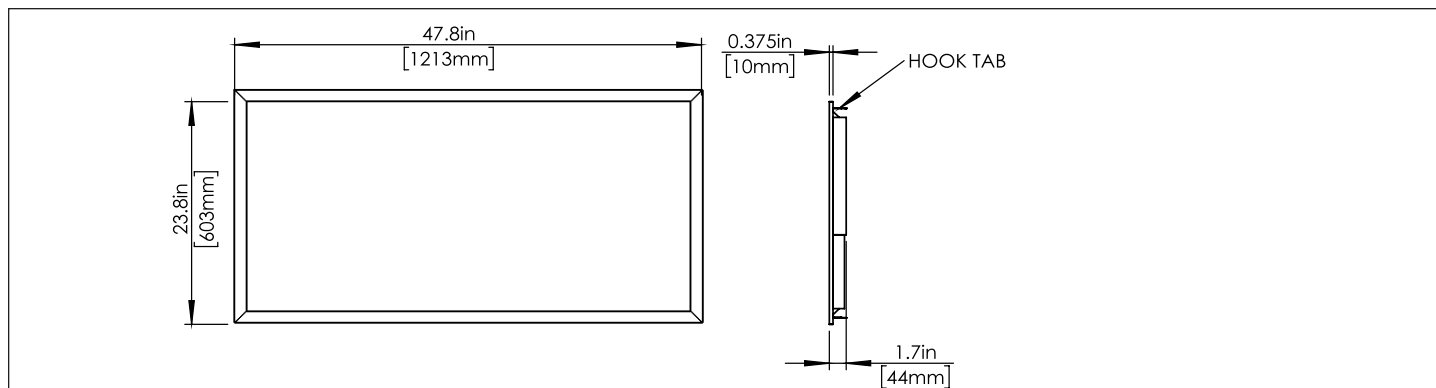
NOTE 1: Field installation remote mounted emergency pack 120-277v; 10w; 1305 lumens.

NOTE 2: Custom color (CC) available only for PLXE2-AC-SM4 and PLXE4-SM mounts.

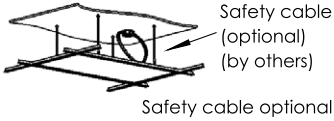




TECHNICAL INFORMATION



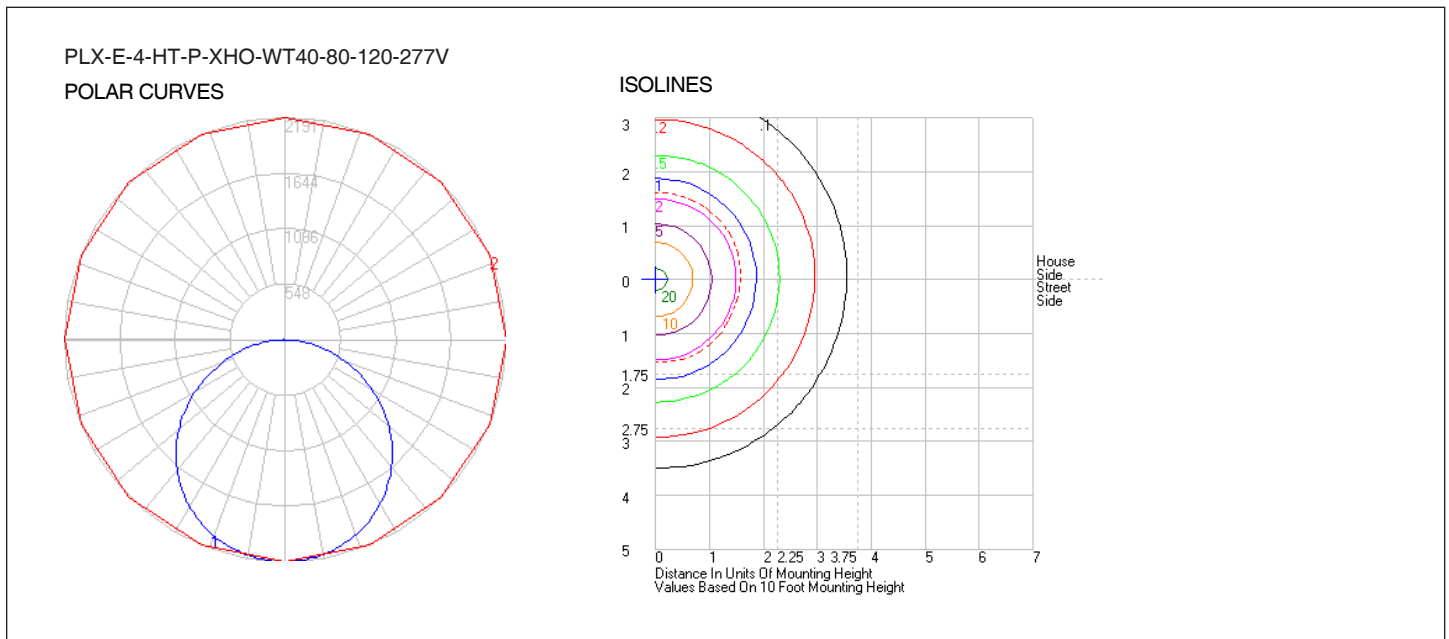
DIMENSIONS



MOUNTING

<p>GRID CEILING MOUNT (GM) (STANDARD)</p>	<p>PLXE4-AC DUAL CABLE SUSPENSION (cable only) (direct to planex) (39° - adjustable) (specify otherwise)</p>	<p>PLXE2-AC-SM4 SUSPENSION MOUNT W/ SURFACE MOUNT FRAME (cable & surface mount) (direct to surface mount frame)</p>	<p>PLXE4-SM SURFACE KIT</p>	<p>PLXE4-RM RECESSED KIT</p>
				

PHOTOMETRICS



ENERGY CHART

MODEL	SIZE	EFFICACY	CONSUMPTION WATTAGE	LUMEN OUTPUT	CRI	L70 (hrs.)
PLX-E-4-HT-P-VHO-WT35-80-120-277V	4(2x4)	125 lm/W	40	4919	>80	60,000
PLX-E-4-HT-P-VHO-WT40-80-120-277V	4(2x4)	128 lm/W	40	5091	>80	60,000
PLX-E-4-HT-P-XHO-WT35-80-120-277V	4(2x4)	125 lm/W	50	6310	>80	60,000
PLX-E-4-HT-P-XHO-WT40-80-120-277V	4(2x4)	128 lm/W	50	6492	>80	60,000
PLX-E-4-HT-P-XHO-WT50-80-120-277V	4(2x4)	128 lm/W	50	6992	>80	60,000