

Project	
Date	
Prepared By	
Model #	ECMVLVE

## Specifications

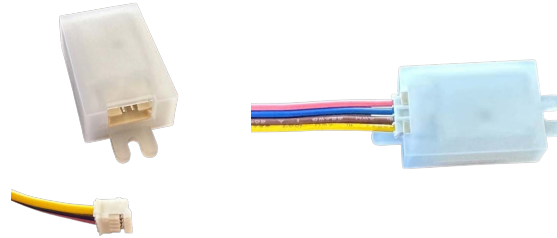
**Input Voltage:** DC 12V  
**Input Current:** 45mA Max  
**Input Power:** 0.5W  
**Output Voltage:** DC 10V  
**Output Current:** 10mA Max  
**Output Power:** 0.1W  
**Dimming:**  
 Class 2, 0-10V DC 10mA Max  
**Sinking Current:** 10mA Max  
**Bluetooth Transmit:**  
 200ft Max  
**Radio Frequency:** 2.4  
**Bluetooth Transmit:**  
 200ft Max  
**Radio Frequency:**  
 2.4GHz  $\pm$  75MHz  
**Bluetooth Version:** 4.2  
**Housing Material:** UL 94-V0  
**Indoor/Outdoor Us:** Yes  
**Detection Range:** 28-80ft  
**Mounting Height:** 10-35ft  
**Operating Temperature:**  
 -30°C to 55°(-22°F to 131°F)  
**Storage Temperature:**  
 -30°C to 85°(-22°F to 185°F)  
**IP Rating:** IP20



Norton Shores, Michigan 49441  
 T: 231.332.1188 | F: 231.726.5029  
 TOLL FREE: 866.632.7840  
 www.earthtronics.com

## Microwave Sensors for Low Bay Fixtures

Requires Bluetooth® Mesh Controller



**ORDER CODE:**  
 11803

**MODEL NUMBER:**  
 ECMVLVE

### PRODUCT DESCRIPTION

EarthConnect, Bluetooth® networked lighting control system makes it easy for commercial facilities to maximize energy savings, improve comfort and achieve building code compliance for indoor and outdoor applications. This microwave occupancy sensor supports setting delay time and bi-level dimming of sensors through the EarthConnect APP. It is powered by EarthConnect 11804 Bluetooth® Mesh fixture controller 12VDC operation. For use with low bay fixtures such as LED Vapors and LED Strips.

### PRODUCT FEATURES

- + 11803, ECMVLVE is a microwave occupancy sensor
- + Designed to operate with 11804 Bluetooth® Mesh fixture controller 12VDC operation
- + Factory installed with order
- + Indoor or outdoor use only
- + IP20 rating
- + Controlled via EarthConnect mobile app or keypad (purchased separately)

### APP FEATURES

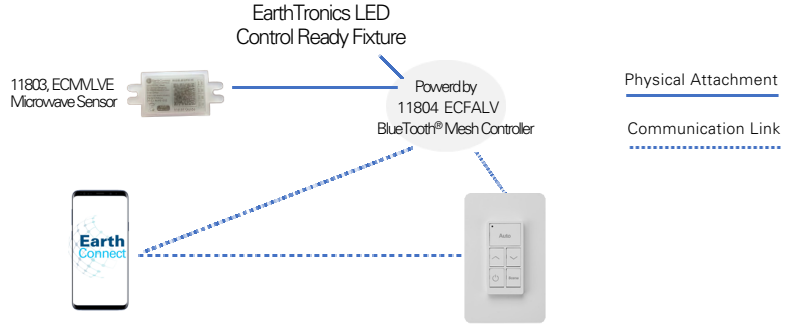
- + Wirelessly group luminaires to act in sync with each other.
- + Convenient commission via smartphone or wireless Bluetooth® wall switch, On/Off/ Dim.
- + Pre-set brightness for individual or group of luminaires under different scene buttons, arouse all settings with one button.
- + Support setting delay time and dimming level for a group of sensors through
- + Search "EarthConnect" on the app store for iPhone (iOS 8.0 or later, and Bluetooth 4.0 or later), or google play store for Android (Android 4.3 or later, and Bluetooth 4.0 or later).

App Icon

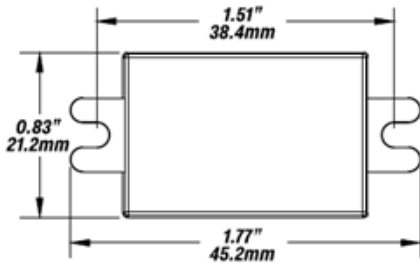


Download App

Please consult installation instructions for proper application and use of this product.

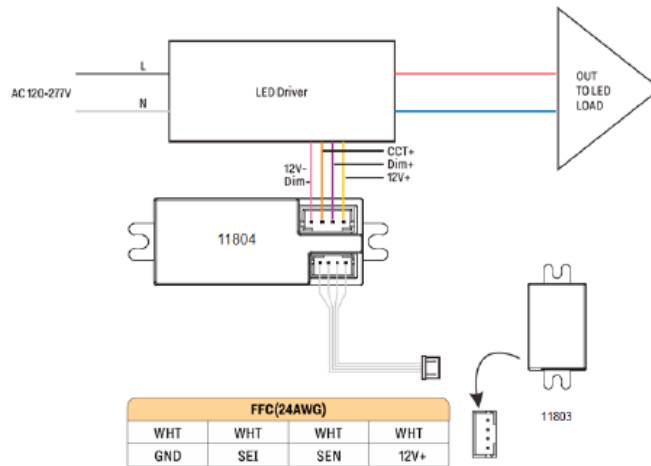


## PRODUCT DIMENSIONS



Dimensions: 1.77" L x 0.45" W x 0.83" H  
 Weight: 3 oz./ 0.1875 lbs  
 Case Material: Plastic  
 UPC: 840791118030

## WIRING DIAGRAM



## OPTIONAL ACCESSORIES



Bluetooth® Mesh  
 Fixture Controller

Order Code: 11804



Dimmer Switch / Key Pad

Order Code: 11808

LEARN MORE: [EarthConnect](https://www.earthtronics.com/earthconnect)  
[www.earthtronics.com/earthconnect](https://www.earthtronics.com/earthconnect)



Download the EarthConnect App



Download App

