

Project	
Date	
Prepared By	
Model #	ECFALV

Specifications

Input Voltage: 12VDC
Input Current: 45mA Max
Input Power: 0.5W
Output Voltage: DC 10V
Output Current: 10mA Max
Output Power: 0.1W
Dimming:
 Class 2, 0-10V DC 10mA Max
Sinking Current: 10mA Max
Bluetooth Transmit:
 200ft Max
Radio Frequency: 2.4GHz
Bluetooth Transmit:
 200ft Max
Radio Frequency:
 2.4GHz \pm 75MHz
Bluetooth Version: 5
Housing Material: UL 94-V0
Indoor/Outdoor: Indoor only
Operating Temperature:
 -30°C to 55°(-22°F to 131°F)
Storage Temperature:
 -30°C to 85°(-22°F to 185°F)
IP Rating: IP20
Compliance: UL8750,
 UL1376, RoHS



Norton Shores, Michigan 49441
 T: 231.332.1188 | F: 231.726.5029
 TOLL FREE: 866.632.7840
 www.earthtronics.com

Bluetooth® Mesh Controller 12VDC



ORDER CODE:
 11804

MODEL NUMBER:
 ECFALV

PRODUCT DESCRIPTION

EarthConnect, Bluetooth® networked lighting control system makes it easy for commercial facilities to maximize energy savings, improve comfort and achieve building code compliance for indoor and outdoor applications. This 11804 fixture adapter is designed for Luminaire Level Lighting Control (LLLC/NLC) with sensor ready function. This adapter provides sensor port for sensor connection. The 11803 microwave sensor is recommended for use with this fixture controller.

PRODUCT FEATURES

- + Dim to Off driver with 12VDC output
- + Integral Bluetooth module
- + Designed for integration into luminaires for Luminaire Level Lighting Control (LLLC)
- + Sensor-ready attachment port for EarthTronics microwave sensor 11803
- + 0-10V dimming compatible

APP FEATURES

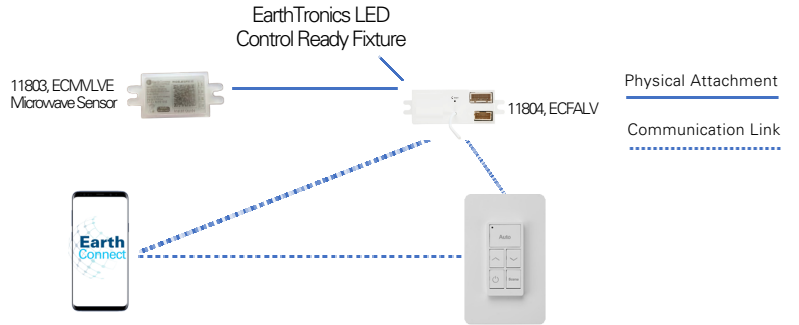
- + Wirelessly group luminaires to act in sync with each other.
- + Convenient commission via smartphone or wireless Bluetooth® wall switch, On/Off/ Dim.
- + Pre-set brightness for individual or group of luminaires under different scene buttons, arouse all settings with one button.
- + Support setting delay time and dimming level for a group of sensors through
- + Search "EarthConnect" on the app store for iPhone (iOS 8.0 or later, and Bluetooth 4.0 or later), or google play store for Android (Android 4.3 or later, and Bluetooth 4.0 or later).

App Icon

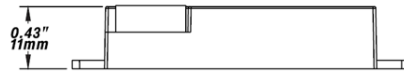
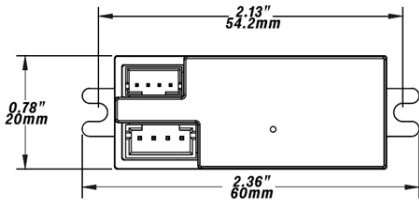


Download App

Please consult installation instructions for proper application and use of this product.

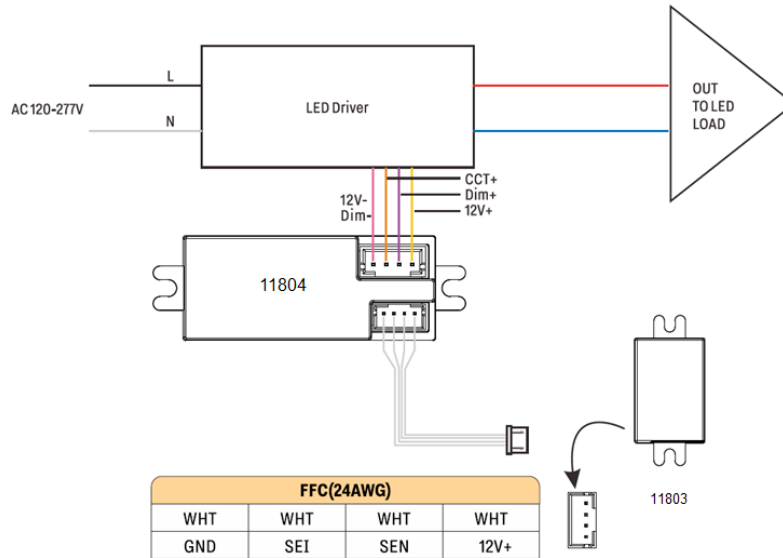


PRODUCT DIMENSIONS



Dimensions:
2.36" L x 0.43" W x 0.78" H

WIRING DIAGRAM



OPTIONAL ACCESSORIES

Microwave Sensor for Low Bay Fixtures
Order Code: 11803



Dimmer Switch / Key Pad
Order Code: 11808

LEARN MORE: [EarthConnect](https://www.earthtronics.com/earthconnect)
www.earthtronics.com/earthconnect



Download the EarthConnect App



Download App

