

Project	
Date	
Prepared By	
Model #	ECHBPIR1

Specifications

ELECTRICAL

Input Voltage:

AC120/277VAC, 50-60Hz

Input Current: 10A Max

@120V, 4.3A Max @ 277V

Input Power: 1200W Max

Output Voltage: AC120-277V

Output Current: 10A Max

@120V, 4.3A Max @ 277V

Output Power: 1200W Max

Dimming: Class 2, 0-10V

Sinking Current: 10 mA Max

Wireless Frequency:

2.4GHz

Wireless Protocol:

Bluetooth® 4.2

Sensor Detection Height:

40- 80 ft

Mounting Height:

20- 40 ft

Operating Temp. Range:

-22°F (-30°C) to 131°F (55°C)

Lifetime Rating: 50,000 hrs

Dimensions:

4.03" L x 3.91" W x 2.36" D

CERTIFICATIONS

UL: Yes, UL8750

FCC: Yes Part 15.247

IP66: Yes

FOR USE WITH EARTHTRONICS:

- LED Linear Highbay



Norton Shores, Michigan 49441
 T: 231.332.1188 | F: 231.726.5029
 TOLL FREE: 866.632.7840
 www.earthtronics.com

Linear Highbay Bluetooth® Mesh Sensor/ Controller

120/277VAC with built-in PIR Sensor



ORDER CODE:

11805

MODEL NUMBER:

ECHBPIR1

PIR SENSOR

DAYLIGHT HARVESTING

PRODUCT DESCRIPTION

EarthConnect, Bluetooth® networked lighting control system makes it easy for commercial facilities to maximize energy savings, improve comfort and achieve building code compliance for indoor and outdoor applications. Sensors automatically read light levels and determine how to best illuminate your space. It's simple and intuitive. Using the EarthConnect app, nodes can be commissioned without the need for a gateway or internet access. Ideal for use with EarthTronics LED Linear Highbay.

PRODUCT FEATURES

- + Sensor built-in into fixture
- + Bluetooth® Network Technology
- + Features a PIR occupancy sensor which detects motion in the coverage area and automatically turns off light when motion is no longer detected
- + Daylight harvesting/ photocell threshold, allows for continuous dimming with natural light
- + Personal control sensor via App or wireless wall switch
- + Dry or damp locations
- + For use with EarthTronics LED Linear Highbay

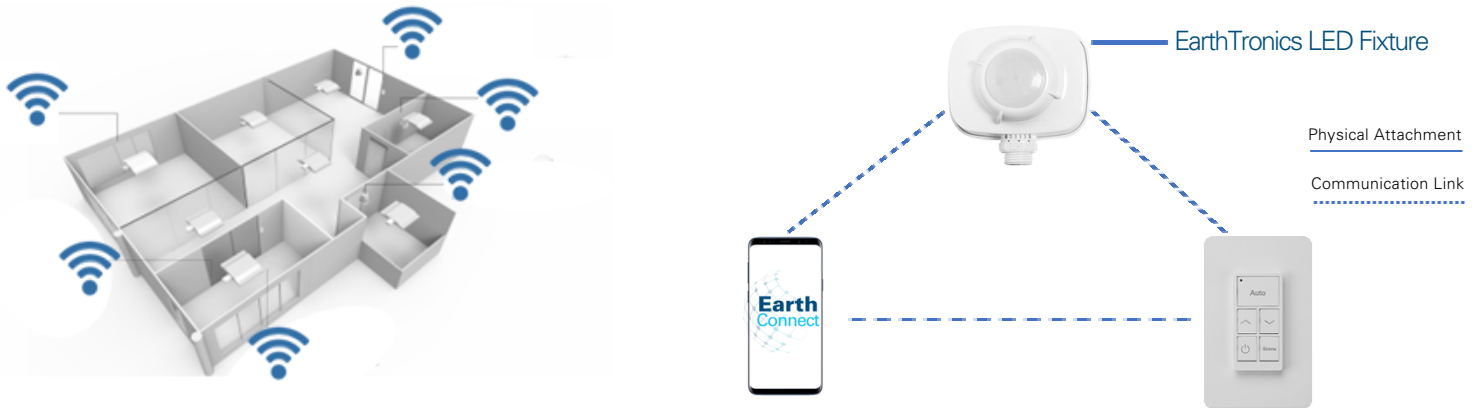
APP FEATURES

- + Wirelessly group luminaires to act in sync with each other.
- + Convenient commission via smartphone or wireless Bluetooth® wall switch, On/Off/ Dim.
- + Pre-set various color and brightness for individual or group of luminaires under different scene buttons, arouse all settings with one button.
- + Support setting delay time and dimming level for a group of fixtures.
- + Search "EarthConnect" on the app store for iPhone (iOS 8.0 or later, and Bluetooth 4.0 or later), or google play store for Android (Android 4.3 or later, and Bluetooth 4.0 or later).

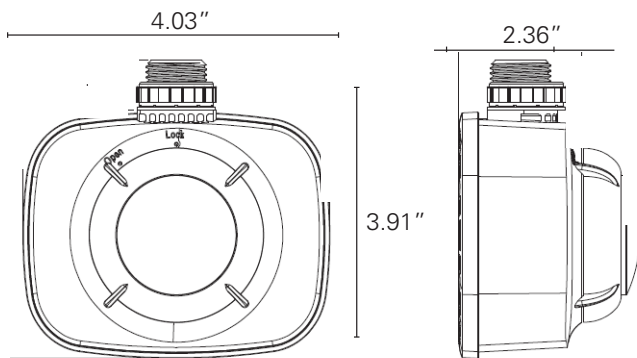


Download App

Please consult installation instructions for proper application and use of this product.

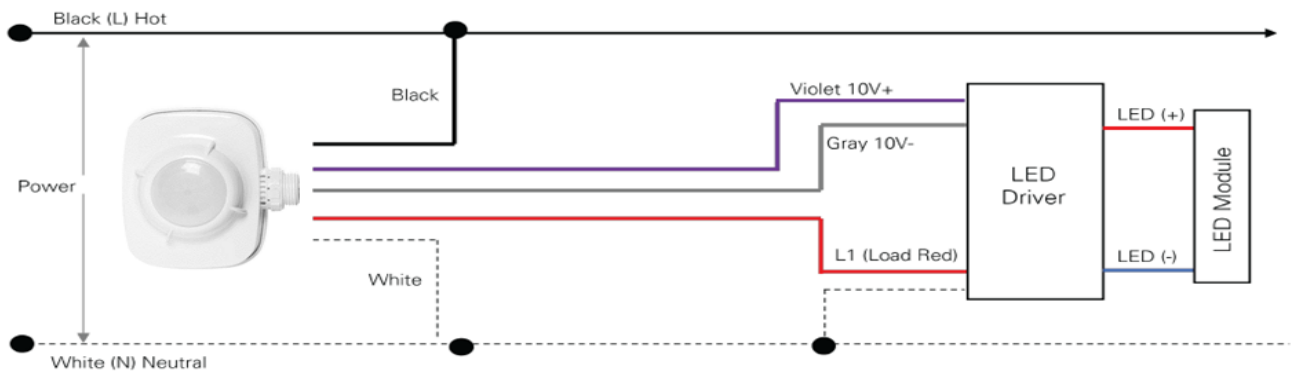


PRODUCT DETAILS



Mounting: 0.5" knockout
 Dimensions:
 4.03" L x 3.91" W x 2.36" D
 Weight: 6 oz./ 0.375 lbs
 Case Material: Plastic
 UPC: 840791118054

WIRING DIAGRAM



OPTIONAL ACCESSORY



Dimmer Switch / Key Pad &
 5 button Bluetooth Wall Switch
 Order Code: 11808

LEARN MORE: EarthConnect
www.earthtronics.com/earthconnect



Download the EarthConnect App



Download App

